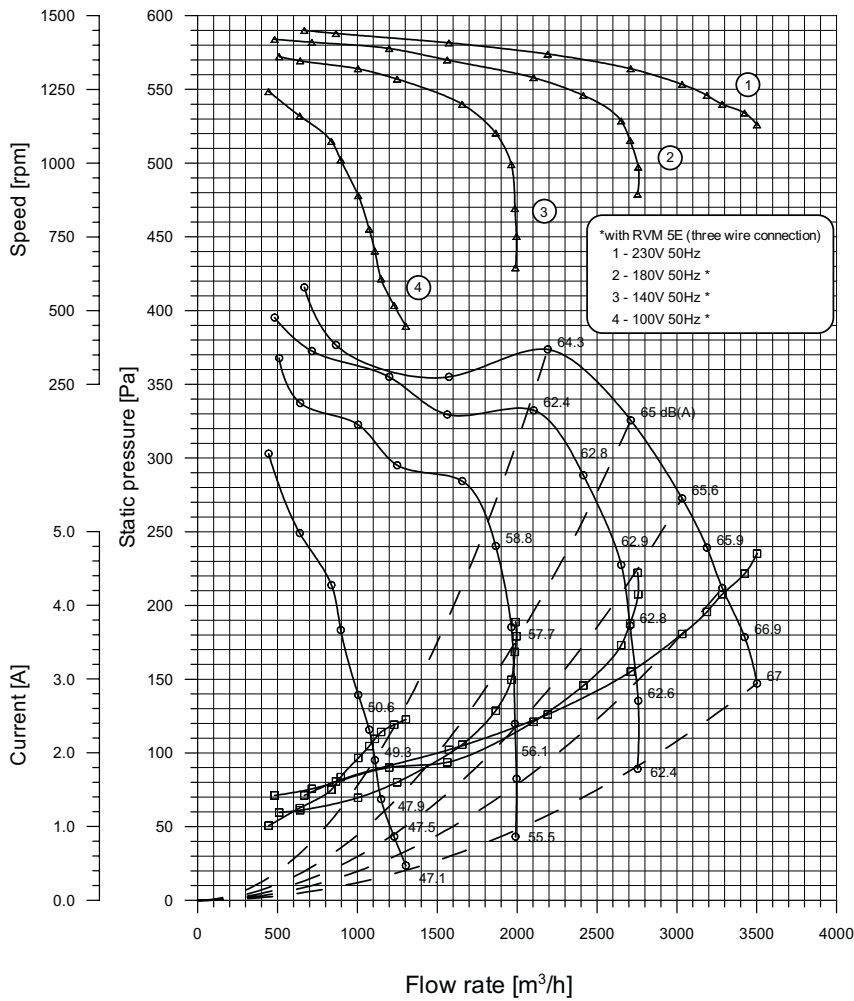


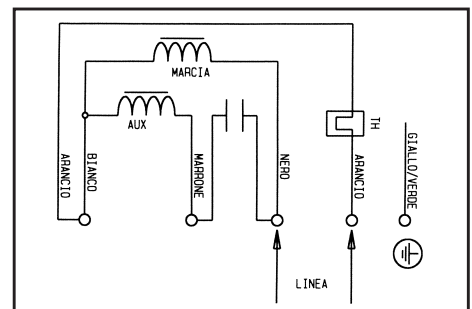
COD. 6M02H5



Type: DDM 9/9
Motor: E6G3501
Test nr.: 1757.*
Date: 21/08/96

Watt: 550
Volt: 230
Hz: 50
Poles: 4
 μ F: 12.5 / 450 V

Amp Max: 4.6
Prot.: IP 55
T.H.: YES-OUT
Ins. Cl.: F



This test data obtained in a laboratory registered by AMCA for AMCA 210/99 air performance testing. Data is not certified by AMCA.

